

INSTALLATION:

3 PHASE WIRING HOOK-UP

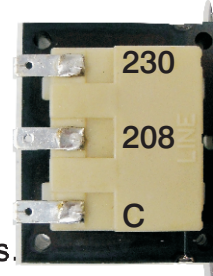
Connect incoming 208v* or 240v 3 phase power to L1, L2, L3 on motor contactor.

1 PHASE WIRING HOOK-UP

If using 208v* or 240v single phase power, connect to L1 and L3 of motor contactor.

*** NOTE:**

System is wired for incoming 208v. If using 230v, disconnect wire from transformer terminal 208 and connect to terminal 230 on line side of transformer. Repeat on all additional bays.



THERMOSTAT

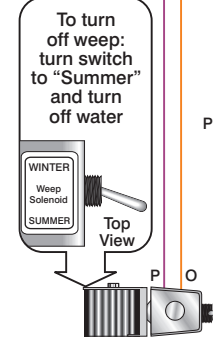
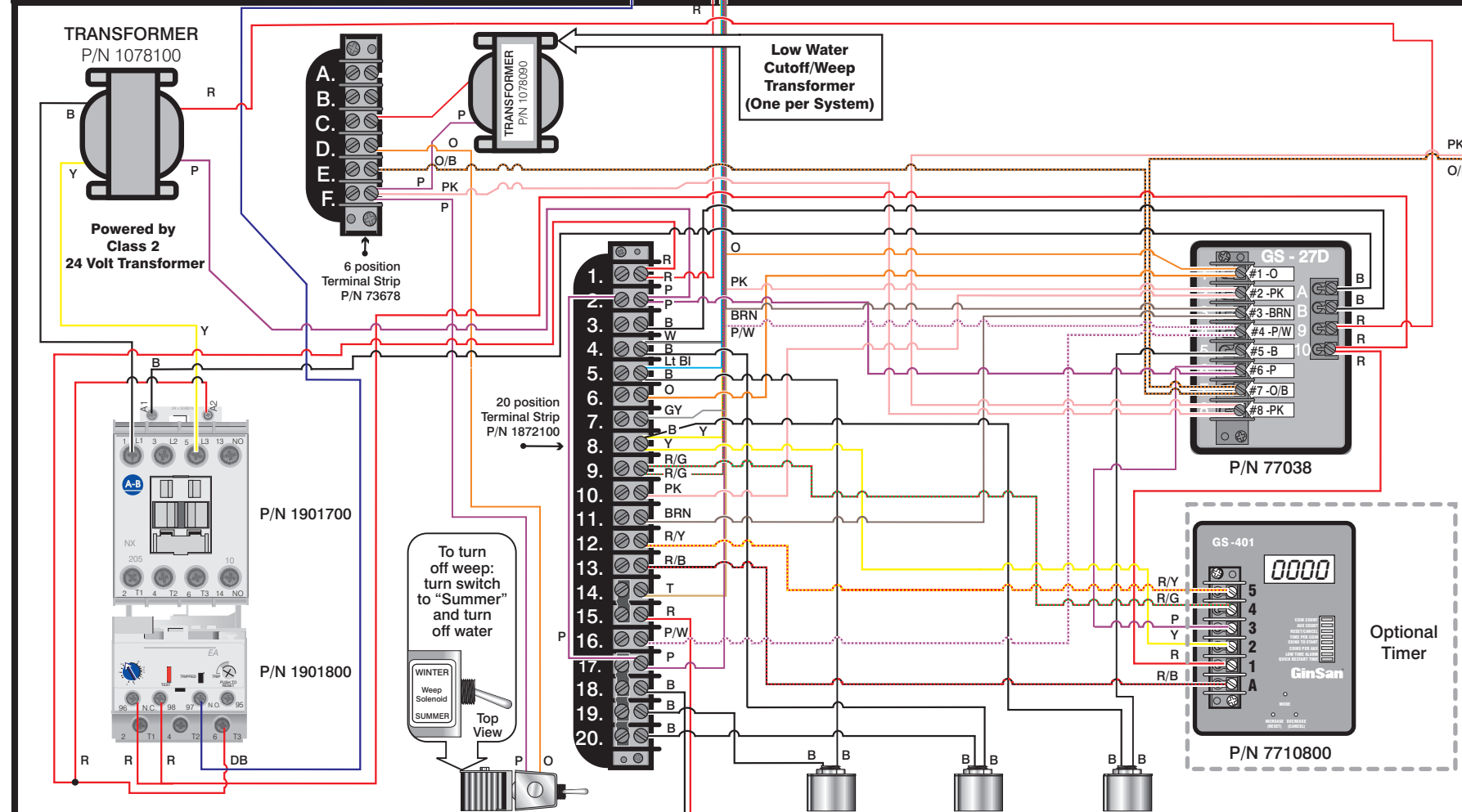
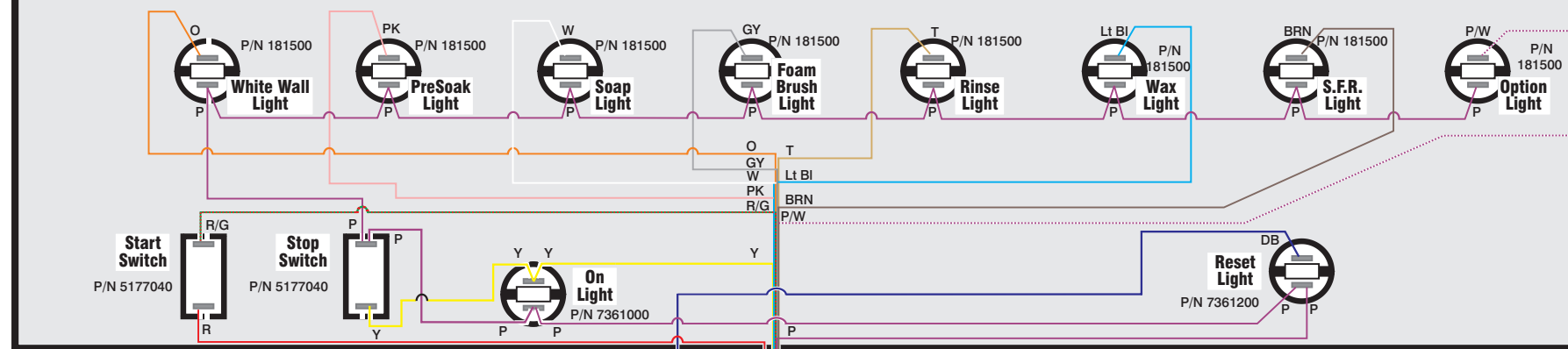
NOTE: Weep thermostat terminals "R" and "W" connect to terminals "C" and "D" of terminal strip.

FOR MORE INFO SEE T/G-200

NOTE:
CONTROL PANEL MUST BE GROUNDED

Functions on 6 Position Terminal Strip

- C&D---- Weep Thermostat
- C&E---- Low Water Cut Off
- E ----- To E of Next Bank of Bays
- F ----- To F of Next Bank of Bays



Weep Solenoid P/N 1907300

To Rinse Solenoid P/N 1906900 (prewired) Located on Low Pressure Manifold

Wax Solenoid P/N 1907200

Soap Solenoid P/N 1907200

Trickle Solenoid P/N 1906800

GinSan®
Ultimate System Control Box Wiring

Effective July 1, 2011

COLOR LEGEND

- R --- RED
- W --- WHITE
- P --- PURPLE
- Y --- YELLOW
- BRN --- BROWN
- DB --- DARK BLUE
- R/G --- RED/GREEN
- R/B --- RED/BLACK
- O/B --- ORANGE/BLACK
- B --- BLACK
- O --- ORANGE
- T --- TAN
- GY --- GRAY
- LtBl --- LIGHT BLUE
- PK --- PINK
- R/Y --- RED/YELLOW
- B/R --- BLACK/RED
- P/W --- PURPLE/WHITE

Functions on 20 Position Terminal Strip

- | Terminal Strip | Color |
|----------------------------|---------------|
| 1-- 24v Hot | Red |
| 2-- 24v Common | Purple |
| 3-- Motor Latching Circuit | Black |
| 4-- Soap | White & Black |
| 5-- Wax | Light Blue |
| 6-- Whitewall Degreaser | Orange |
| 7-- Foam Brush | Gray |
| 8-- 24v Load | Yellow |
| 9-- Coin Switch | Red/Green |
| 10-- Pre-Soak | Pink |
| 11-- Final Rinse | Brown |
| 12-- Token Coin Switch | Red/Yellow |
| 13-- Last Coin Alert | Red/Black |
| 14-- Cold Water Rinse | Tan |
| 15-- Cold Water Rinse | Red |
| 16-- Option | Purple/White |
| 17-- 24v Common | Purple |
| 18-- 24v Common | Black |
| 19-- 24v Common | Black |
| 20-- 24v Common | Black |

Connect Wires for Meterbox to 20 position terminal strip as indicated above.